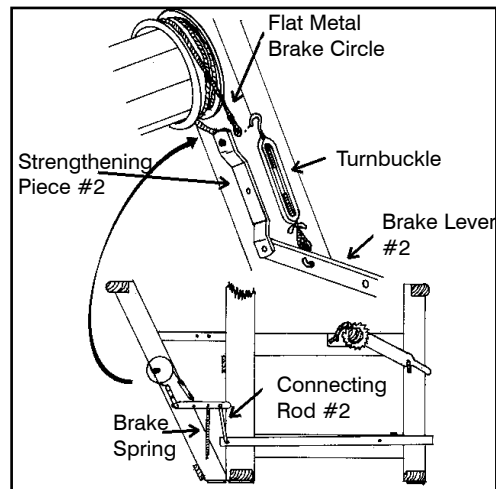
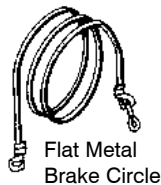
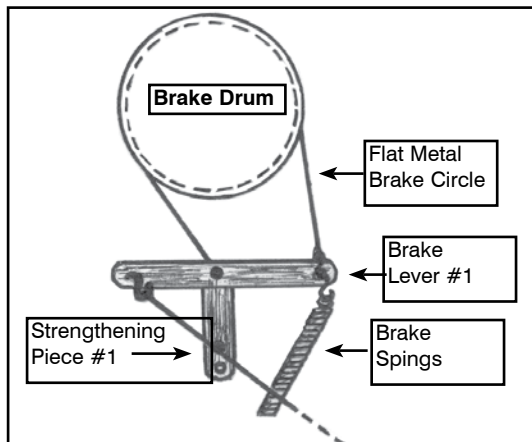


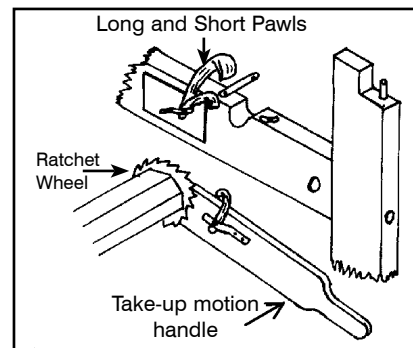
REPAIR PARTS



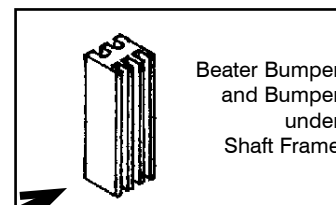
3000-4701	Brake circle for most looms (Artisat, Mira, Fanny, Nilus, Nilus II Colonial Nilart and Weavebird)...	\$32.00
1400-0000	Brake Circle for Old Minerva / Meco & Dorothy	\$29.00
1400-0001	New brake cable Dorothy, Voyageur.....	\$29.00
1400-0002	New brake cable Compact	\$29.00
3000-5884	Brake spring	\$13.00
4720-0000	Brake lever #1 (4")	\$ 8.00
4720-0001	Brake lever #2(9.75")	\$18.00
4719-0000	Stre. piece #1	\$ 12.00
4779-0000	Stre. piece #2	\$ 12.00
4789-0000	Connecting rod#2	\$15.00
5874-0000	Turnbuckle	\$16.00
1113-0000	White Pulley with screw	\$4.00

TAKE-UP MOTION WITH RATCHET PAWL:

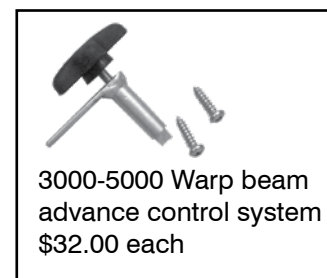
1022-2802	For Compact 24"	\$45.00
1009-2802	For Artisat 36"	\$65.00
3672-0000	For Mira, Fanny, Nilus and Nilus II Colonial, Nilart and Weavebird	\$103.00



3060-0000	Ratchet Pawl for take-up motion handle	\$34.00
3070-0000	Long ratchet pawl for cloth beam	\$41.00
3071-0000	Short ratchet pawl for cloth beam	\$39.00
3080-0000	Ratchet wheel for cloth beam	\$88.00



3000-9229	Beater Bumper (set of 2)	\$ 7.00 each
3000-9233	Bumper under shaft frame 4s loom	\$ 9.00 each
3000-9230	Bumper under shaft frame 8s loom	\$ 11.00 each
2402-0000	Ratchet wheel Dorothy Voyageur	\$ 48.00 each
3020-0000	Plain Wheel for front or back beam	\$ 71.00



3030-0000	Brake drum Mira, Fanny, Nilus, Nilus II, Colonial and Nilart	\$193.00
3110-0000	Brake drum for Artisat	\$193.00

0342-7101	Polyvinyl non-skid base for floor looms	\$ 4.00 each
-----------	---	--------------

