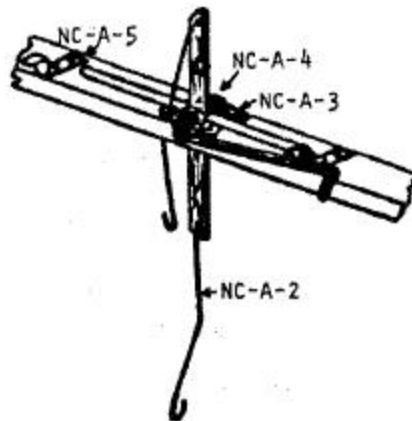
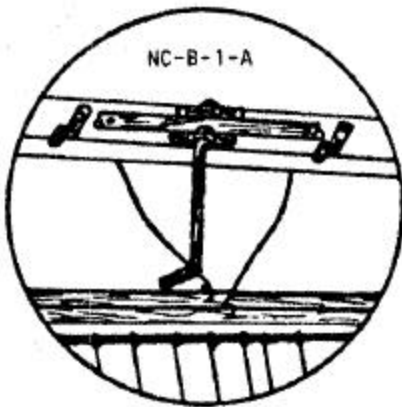
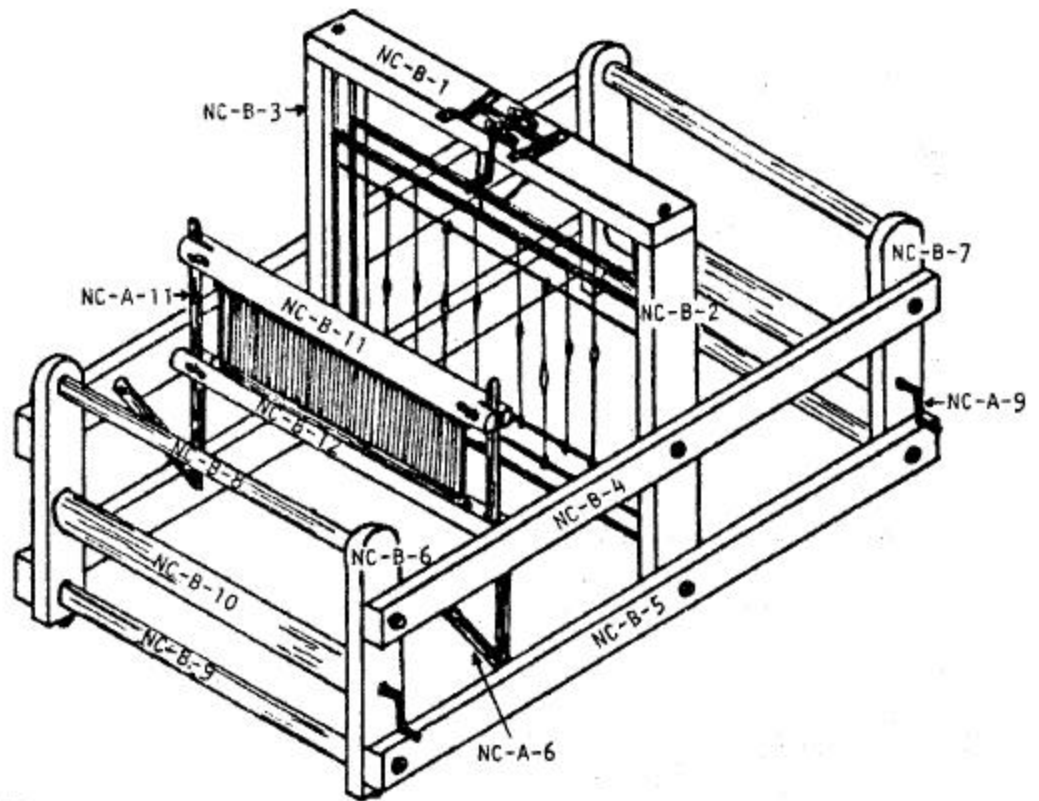


NILEC



NILEC

Please specify the dimension of the loom, 15" (38cm) or 15 3/4" (40cm) and give the serial number,

WOOD

NC-B-1	Top cross-board
NC-B-1-A	Top cross-board with complete crank system
NC-B-2	Right upright post
NC-B-3	Left upright post
NC-B-9	Upper lateral cross-member
NC-B-S	Lower lateral cross-member
NC-B-6	Front, post
NC-B-7	Back .post
NC-B-8	Breast or thread beam
Nc-B-9	Round cross-member
NC-B-10	Cloth or warp beam with ratchet wheel
NC-B-11	Batten handtree
NC-B-12	Batten sley
NC-3639	Beam stick replacing the canvas apron)

METAL

NC-4139	Harness frame without heddle support
NC-422	Heddle support
NC-A-2	Hook connecting harness to lever
NC-A-3	Lever support
NC-A-4	Complete crank system with lever
NC-A-5	Lever stopper
NC-A-6	Book to keep r loom in open position
NC-A-7	Ratchet pawl for cloth beam (long)
NC-A-8	Ratchet pawl for cloth beam (short)
NC-A-9	Crank
NC-A-10	Shaft for left side of the beam
NC-A-11	Batten sword

CAST-IRON

NC-F-1	Ratchet wheel
---------------	----------------------